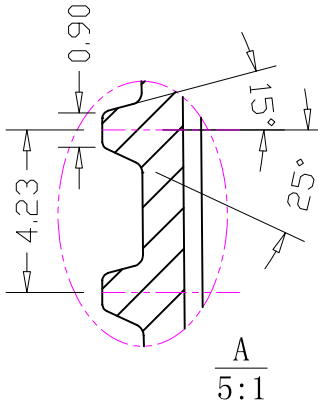
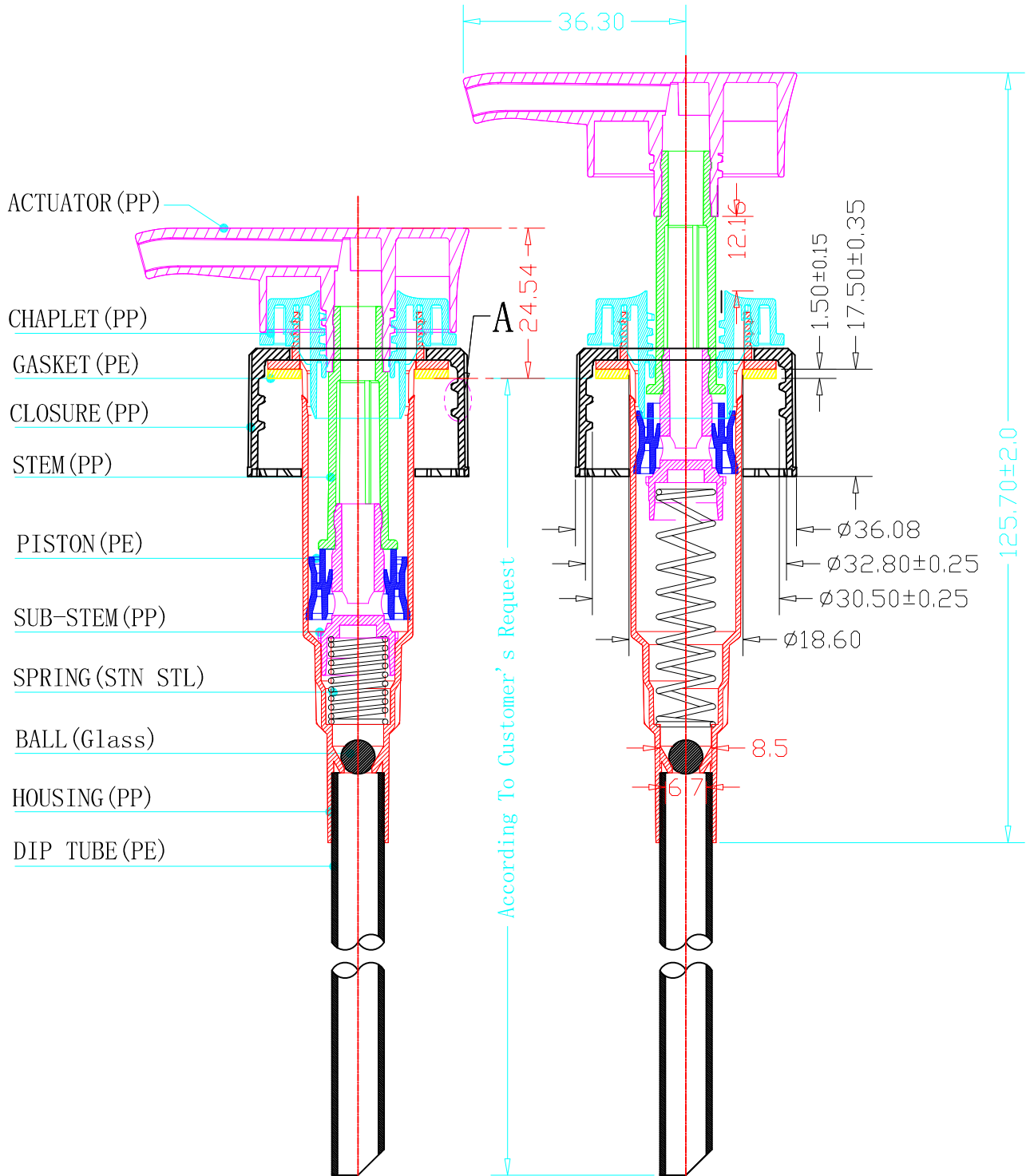


STYLE No. :L509BJY-33/410Q



Unmarked Tolerance ±0.5mm

				All Rights Reserved	
				Material	Assembly Drawing
				Version	
				Dwg No.	L509BJY-33/410Q-A01
				ERP No.	
				Drawing	Z/L509
				Design	ZENGQIKUN20180702
				Audit	MOHENGJIN20180702
				Approval	
Marker	Before modification	After modification	Date	Approval	Visual angle
				Total 1st page(s)	
				The 1st page	

CLC 联昌